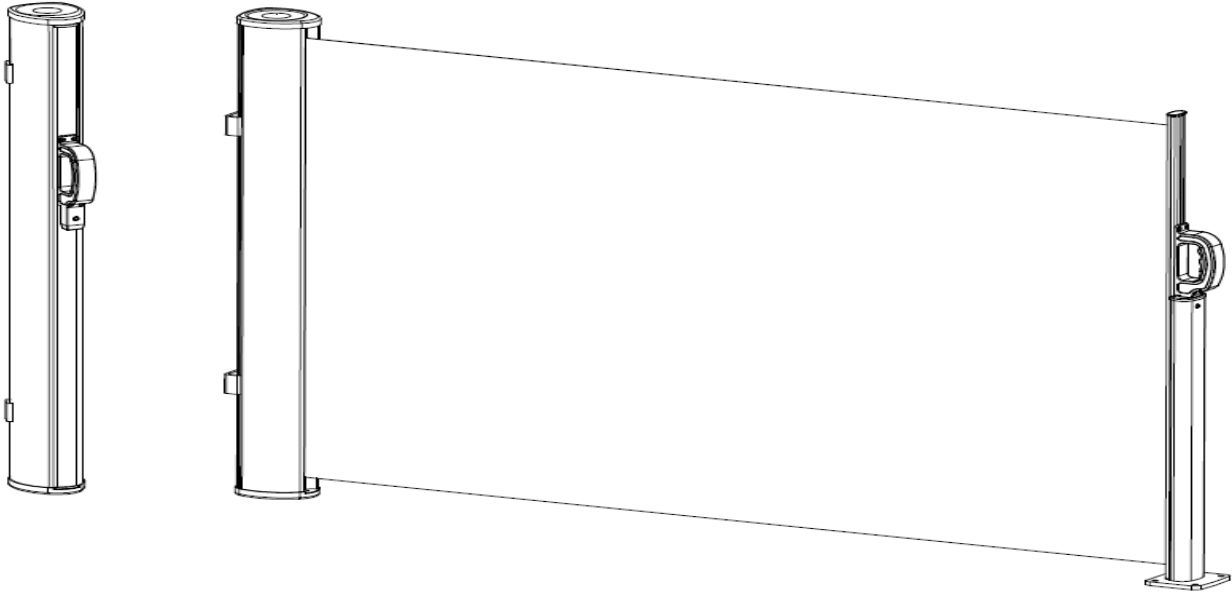


Mounting and User Instructions for Folding screen awning



Content	
Packing List.....	2
Product Description.....	3
Safety Instructions.....	3
Preparations.....	4
Mounting.....	5
Usage.....	6
Maintenance.....	7
Cleaning.....	8
Dismounting.....	8
Storage.....	8



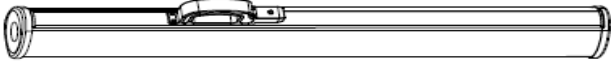
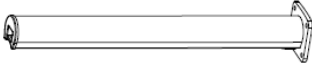
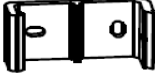

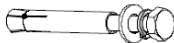
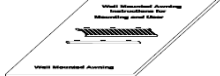
Attention:

Read this instruction manual carefully and completely before mounting and usage. Keep this manual for future reference.

Dear Customer,
 congratulations and thank you for buying folding screen awning, to enjoy this product for a long time and for your own and the safety of other people please obey the mounting instructions. Before you start mounting and using the awning, please get familiar with this product. Make sure all parts listed up in below packing lists are delivered and intact. If you find that there are parts missing or damaged please do not install the awning but contact your dealer. Do not start the mounting if parts are missing our defect.

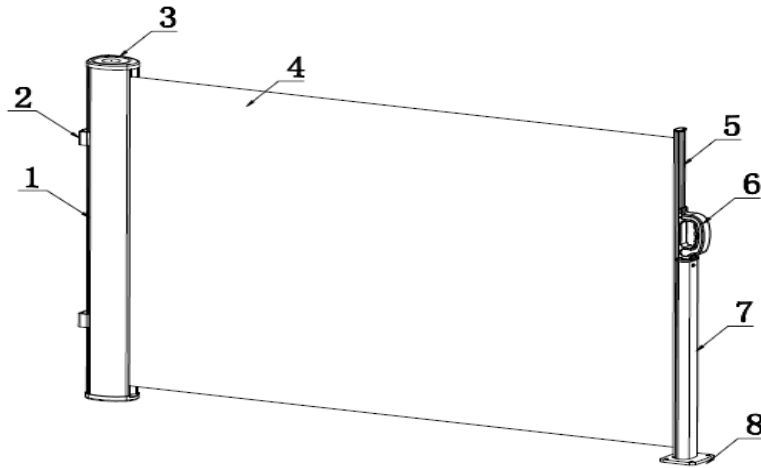
Packing List

You should find following parts in the package:

Part	Quantity
 Awning	1
 Standing pole	1
 Wall Bracket	2
Wall-mounted Front Bar hook (bottom)	
 Screw	4
 Wall Nuts and bolts	4
 Instruction manual	1

Product Description

Folding screen awning is a new screen. It is a retractable system that provides shade and privacy for your outdoor area; easy assembly, convenient to use. It can use for balcony, bar, restaurant etc. The folding screen awning offers a large individual free space if you want. In one words, The folding screen awning is custom made to fit your needs without big wind and heavy rain condition.



- | | | | |
|---|--------------|---|-----------------------|
| 1 | Awning cover | 5 | Front bar |
| 2 | Wall bracket | 6 | handle |
| 3 | Side cover | 7 | Standing pole |
| 4 | Fabric | 8 | Standing pole chassis |

Important Safety Instructions

Warning: For your own and the safety of other persons, it is important to follow below instructions and obey warnings.

Symbol explanation



This warning triangle calls attention to hazards that can lead to death or to severe injuries or which are important for the functioning of the awning.



This sign identifies important notes.

Safety instructions



To install this folding screen awning technical knowledge is necessary. Do not mount this folding screen awning yourself but contact a professional workman for help if

- ◆ you are unsure if the awning can be mounted on the place you chose for installation.
- ◆ you do not understand the instruction manual or parts of it.
- ◆ you do not have necessary tools available.
- ◆ you do not have necessary technical knowledge



Do not install the folding screen awning when you find damage parts or parts are missing. Contact your dealer.



This product and its fixing parts are only suitable for installation on a plain cement wall or stable unrendered brickwork. If the wall/brickwork shows cracks you have to consult a professional.



Nobody is allowed to change the products' design and structure without the permission of manufacture or authorized deputy.



Please make sure that your hands are clean at the time of the assembly; otherwise you may soil the awning fabric and frame.

Preparations

Make sure that no children and pets are present during mounting. They could get hurt by lain out parts or tools.

Carefully remove the box and remove the foam protectors from folding screen awning. Remove the plastic bags and plastic guards from the awning and carefully place the awning aside to avoid having it damaged by scratches or otherwise damaged or soiled during assembly. Check the number of parts in the packaging whether the packing list requirements, the quality of parts availability issues, if questions, please contact the supplier.



Be aware the sudden extension may occur during unpacking.

Tools needed for assembly:

- | | |
|-------------------------------------|-----------------------|
| ✓ Drill | ✓ 4mm hexagon spanner |
| ✓ Masonry drill bit, 14 mm and 10mm | ✓ Tape measure |
| ✓ Level | ✓ Chalk or marker pen |
| ✓ Wrench 10mm, 17 mm | ✓ Wooden hammer |

Mounting



Mounting on a concrete or brick wall

Please ask professionals for help if you are not sure

If your building has an exterior shell (such as insulation, double brick wall, brick facing), installation should be taken out by a professional.)

If the wall/brickwork shows cracks you have to consult a professional.



For safe and smooth installation think about where you will be securing the awning to the wall before you start drilling holes.

Step 1: Chose Mounting Location

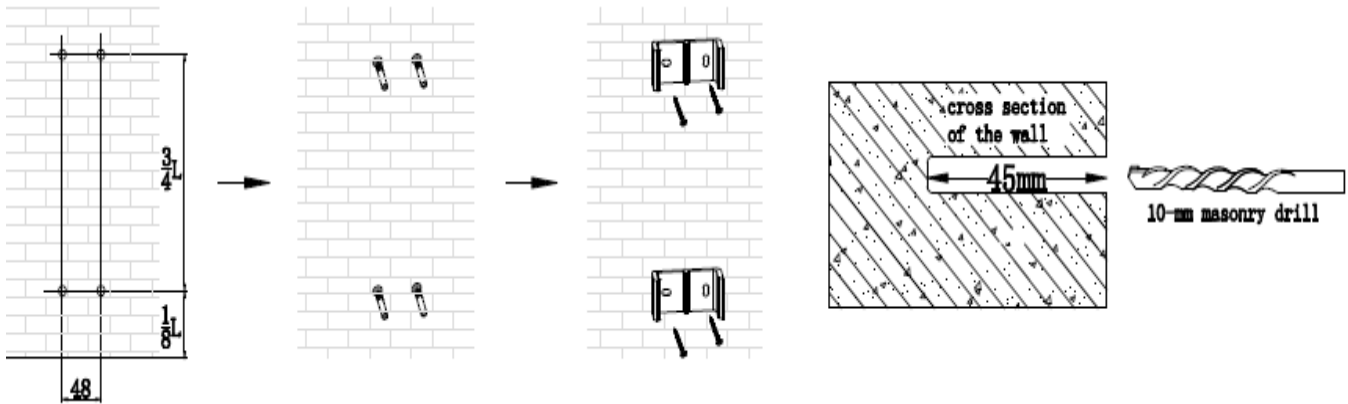
For safe and smooth installation think about where you will be securing the awning to the wall before you start drilling holes, make sure the wall/support place is plain, so that bracket seats solidly.

Step 2: Drilling Holes and Installation mounting bracket

After choosing mounting position you can mark where you need to drill holes for the brackets. We already marked where and with what width brackets need to be mounted measure the width between the brackets and copy it to the line on your wall/support place.

Figure 1:

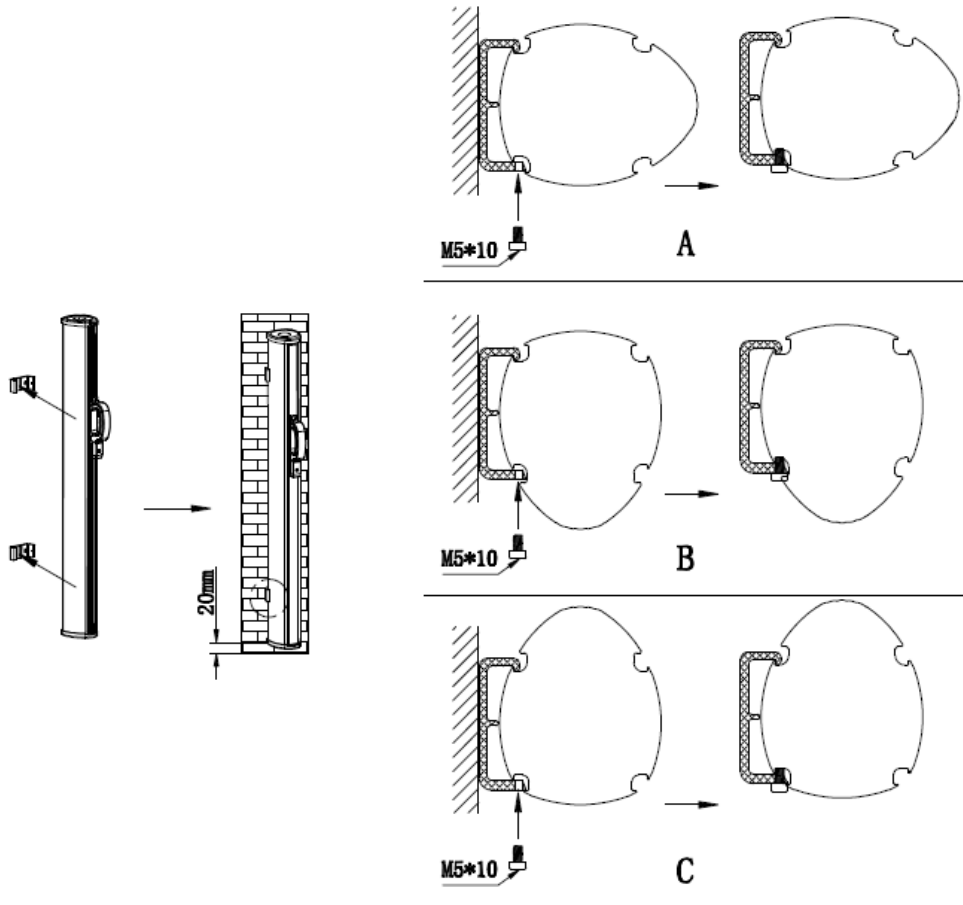
Use 10-mm drill to drill the holes for the front bar hook at the appropriate marks on the wall .The holes Should be 4.5cm deep in the wall/support place



Step 3: Fixing Awning

Up lift the awning casing back card slot snaps into wall brackets, using M5*10 hex bolts fixed the awning on wall.

According to customer needs, awning can be installed from A or B or C direction.
Figure2



Step 4: Fixing Standing Pole

Use 14-mm drill to drill 4 holes on floor for the brackets at the appropriate marks on the wall. The holes should be more than 7cm deep in the floor/support place.

Figure 3: Fixing Standing Pole Chassis

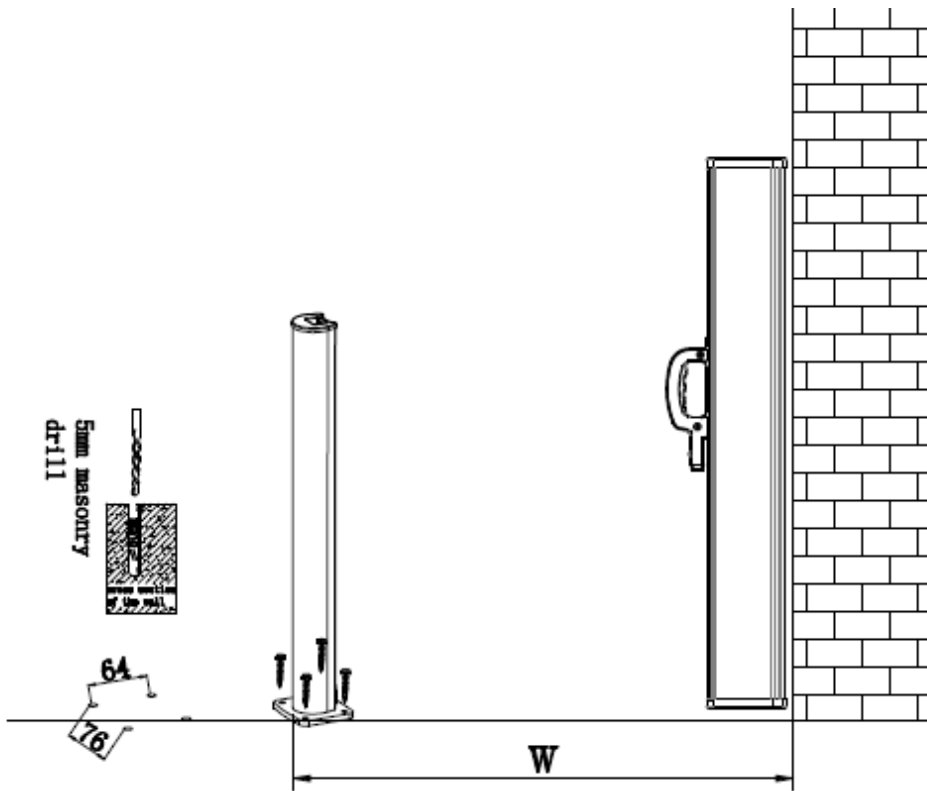
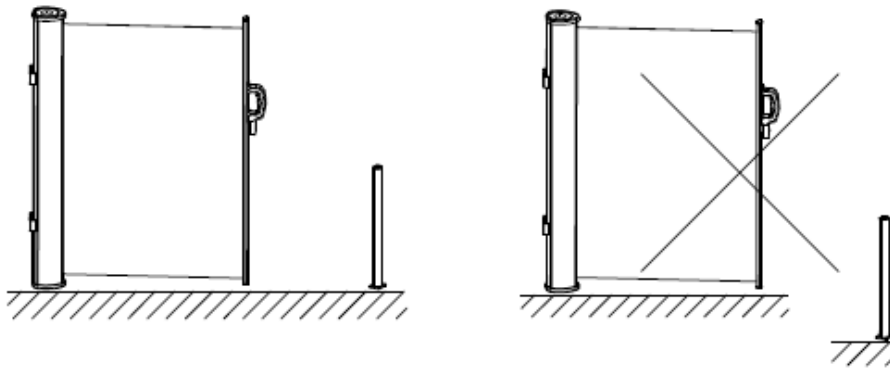


Figure 4: Fixing Standing Pole



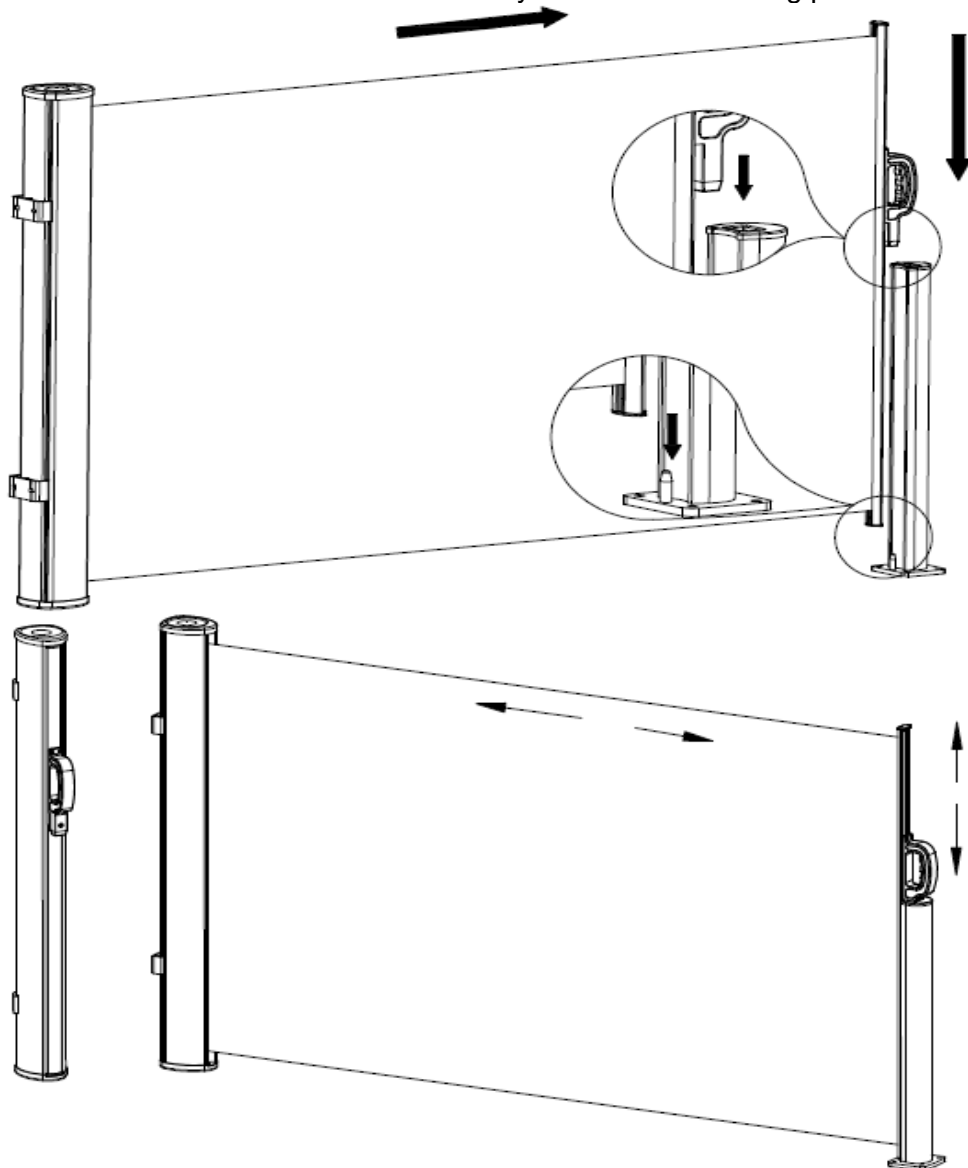
Attention: The standing pole should be mounted at the same level ground with the awning.

Attention: Misplacing and misapplying the awning can cause seriously danger. Only mount the awning yourself when you understand the mounting instructions completely and when you are sure that the wall/support place you want to mount the awning on is suitable. For your own and the safety of other people , please contact an authorized assembler for help.

Usage

How to use standing pole

Pull the front bar's handle horizontally to the fixed standing pole.



Attention:

1. the folding screen awning are intended as a protection against the sun only. It is not to be used during periods of strong wind, retract the awning immediately.
2. Never allow children to play with the folding screen awning.
3. To avoid sudden extension of the awning during extend or retract it, make sure that no other people is standing near the awning during the operation.

Maintenance

Regular maintenance will not only help to keep a long durability but is also important for your own and the safety of other people.

- ◆ Examine regularly if wall brackets are tight, fasten them if loose or lax.
- ◆ Examine the bolts and nuts once in half a year, fasten them if loose or lax.
- ◆ Stop using the awning immediately if it has been damaged or it is not tighten properly.

Please contact an authorized service centre for repair and if you have any further questions.

Cleaning

Frame: Over time, dust and dirt will collect on the frame and will require periodic cleaning to maintain its appearance.

A mild spray cleaner or water/detergent mixture may be applied to the frame to clean it. Wipe dust off with a damp cloth. Do not use aggressive detergents e. g. to clean oil residues.

Fabric: Clean the fabric every six months.

Only use natural soap, never use chemical detergents. Water should be cold to lukewarm. Let the fabric dry completely. Do not use heating appliances e. g. hairdryer for drying.

Dismounting

When you don't want to use the awning anymore or if you want to dispose it one day you have to demount it.

Attention! At least two healthy adults are need for this step.

- ◆ Retract the awning completely before you begin with dismounting. Bind the arms of the awning together to avoid unintended unfolding. This might cause damage and injury. You can use the protection band that was fixed on the awning when purchasing it.
- ◆ Follow the mounting instructions in reversed order to dismount the awning.
- ◆ Make sure that drilling holes in the wall will be sealed professional.

Attention! Safety hints and instructions have to be followed for dismounting as well.

Storage

When you do not want to use the awning for a longer period of time it is recommended to take the awning out of the brackets and store it.

- ◆ Make sure that the fabric is dry completely before storing. Storing a wet fabric can cause spots and damage.
- ◆ Store the awning at a dry and safe place that is not reachable for children.

Disposal

Do not dispose this awning with other household wastes. To prevent possible harm to the environment or human health from uncontrolled waste disposal, recycle it responsibly to promote the sustainable reuse of material resources. To return your used device, please use the return and collection systems or contact the retailer where the product was purchased. They can take this product for environmental safe recycling. Dispose packing materials according to local guidelines.